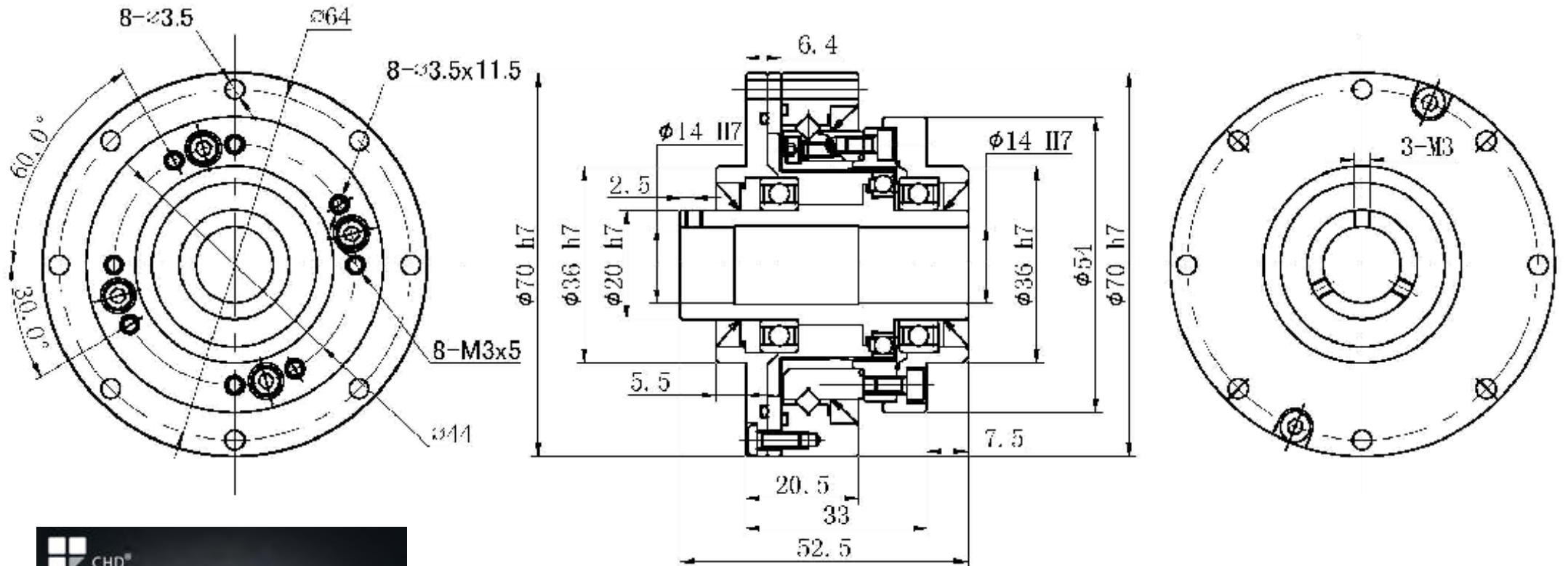


Model Parameters and drawing:

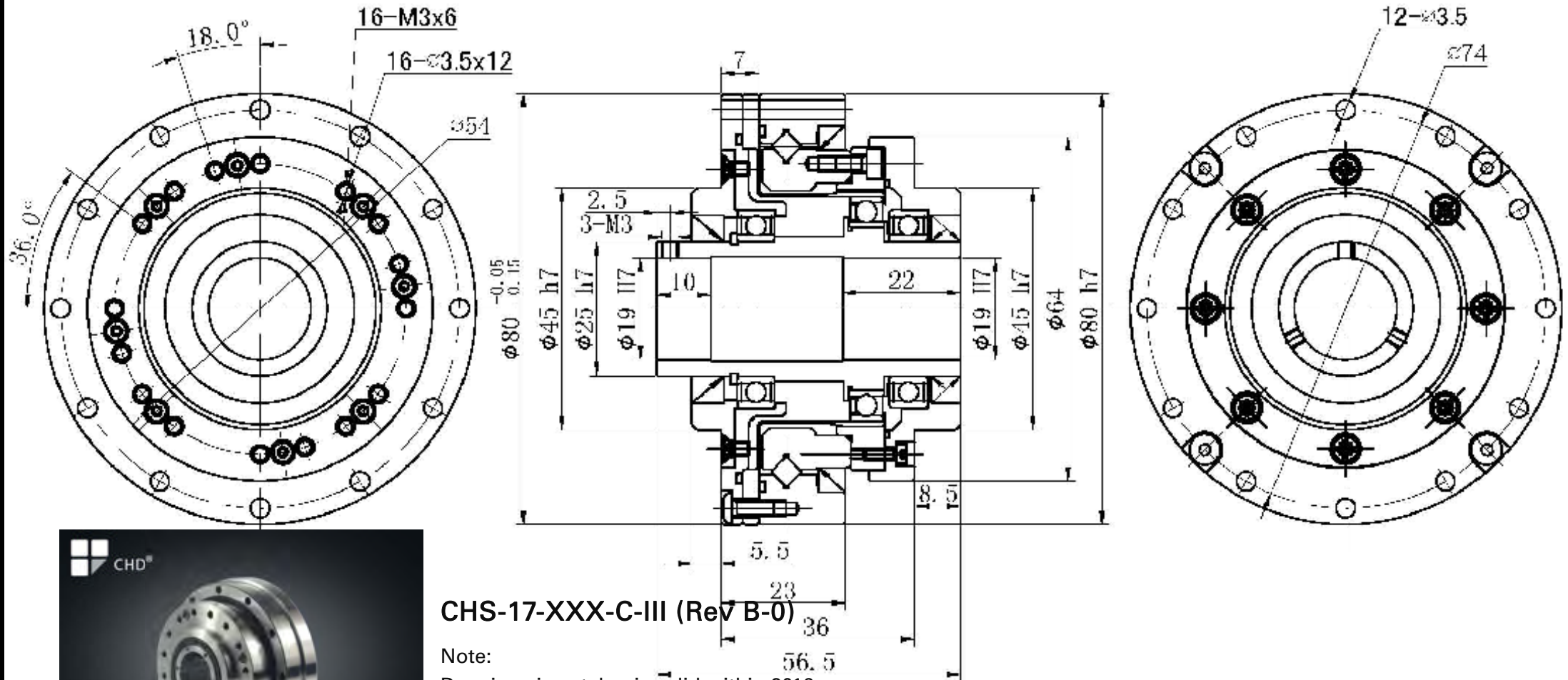


CHS-14-XXX-C-III (Rev B-0)

Note:
 Drawings in catalog is valid within 2016
 Order dimension according to final drawing according to customer confirmation
 If there is update in drawing details, which will not be notified in catalog

Please avoid using minimum safety dimension when assembling with rigid spline

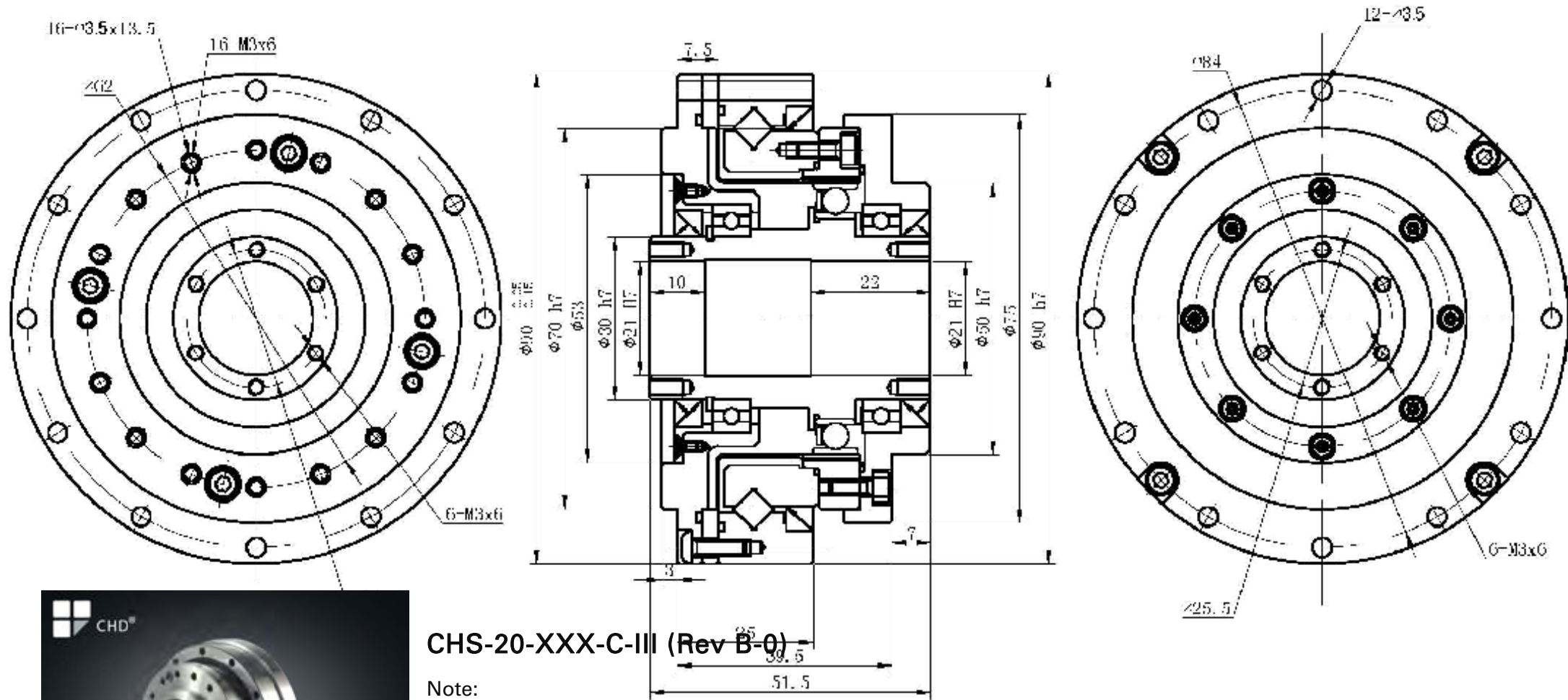
Model Parameters and drawing:



CHS-17-XXX-C-III (Rev B-0)

Note:
 Drawings in catalog is valid within 2016
 Order dimension according to final drawing according to customer confirmation
 If there is update in drawing details, which will not be notified in catalog
Please avoid using minimum safety dimension when assembling with rigid spline

Model Parameters and drawing:



CHS-20-XXX-C-III (Rev B-0)

Note:

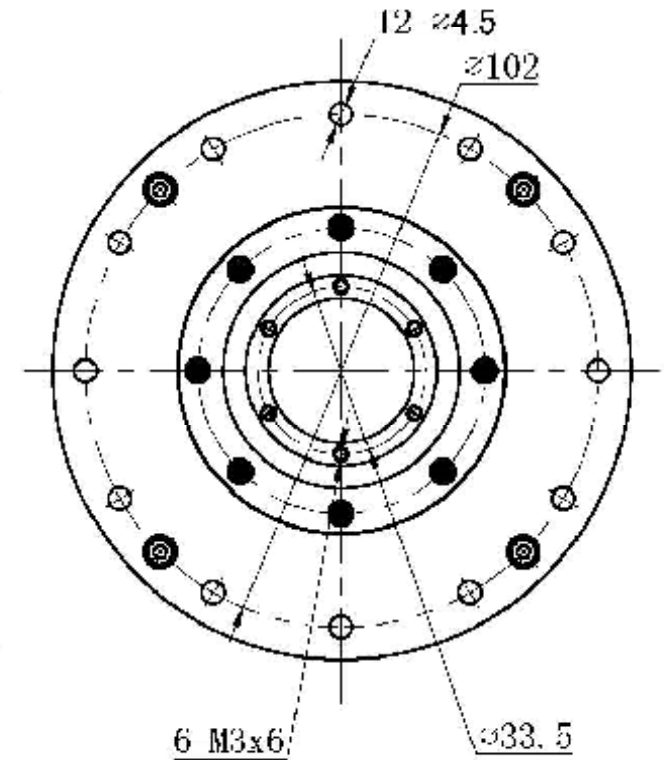
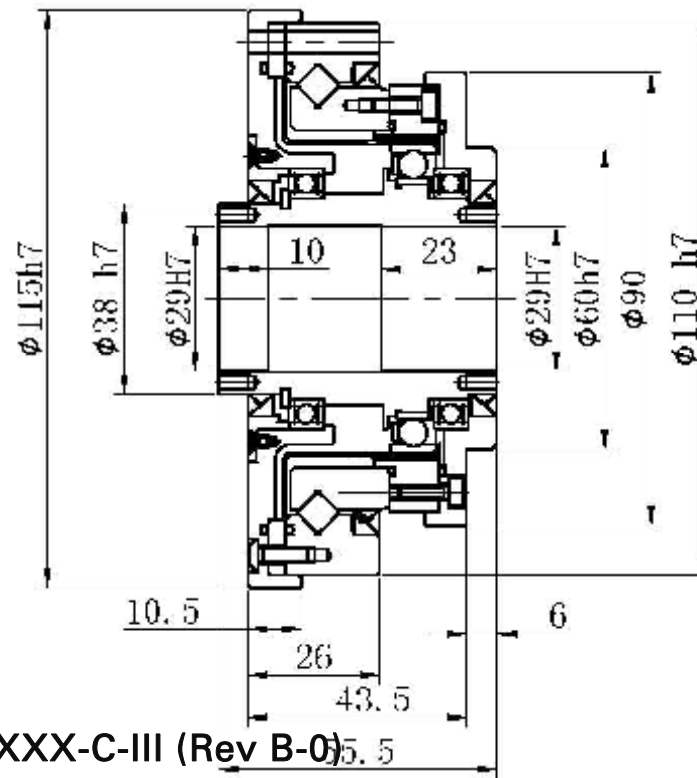
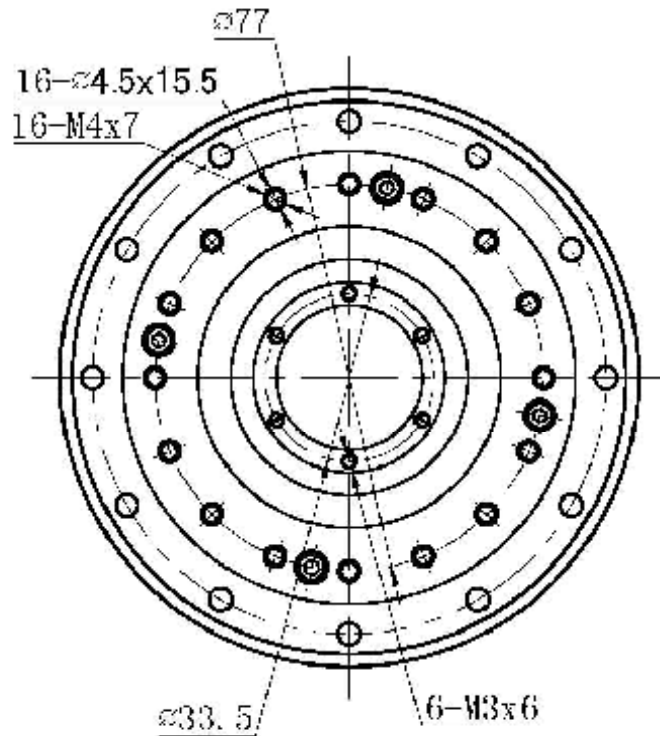
Drawings in catalog is valid within 2016

Order dimension according to final drawing according to customer confirmation

If there is update in drawing details, which will not be notified in catalog

Please avoid using minimum safety dimension when assembling with rigid spline

Model Parameters and drawing:



CHS-25-XXX-C-III (Rev B-0)

Note:

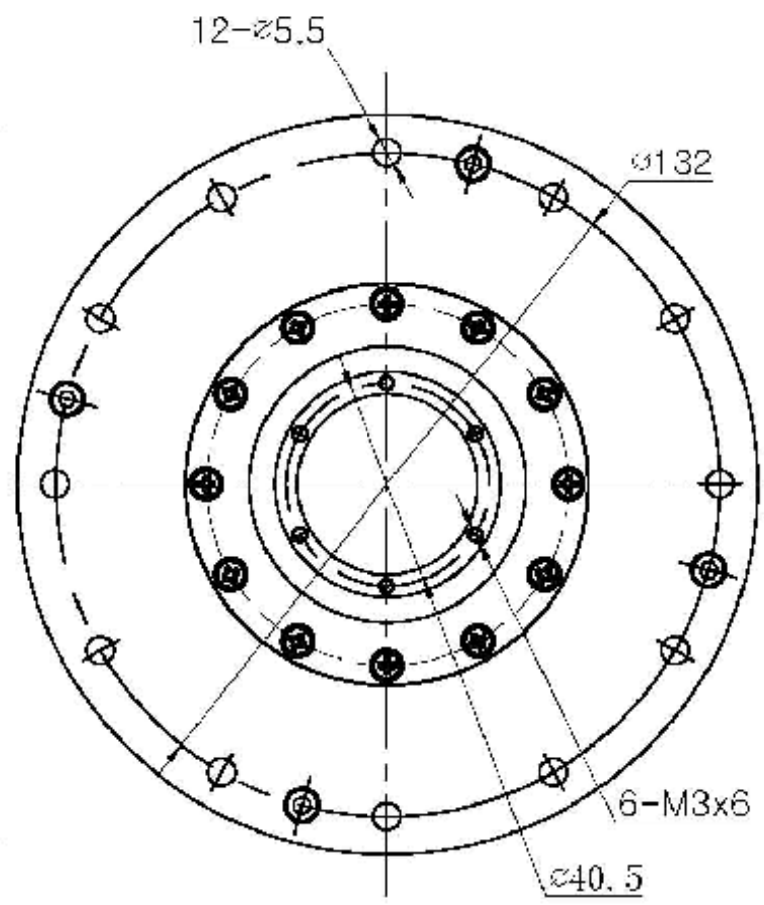
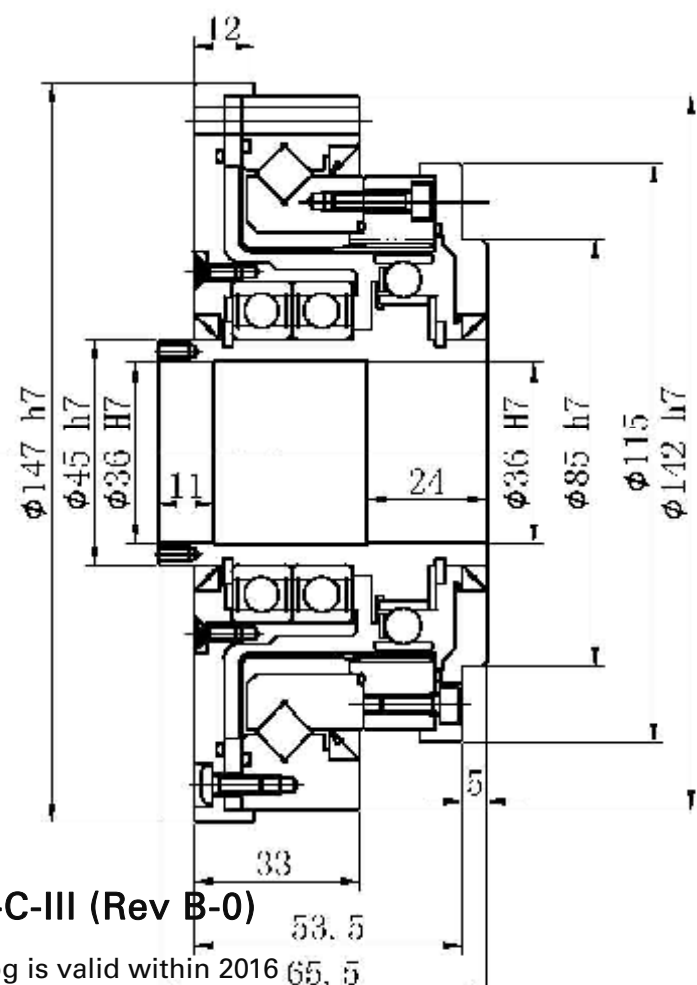
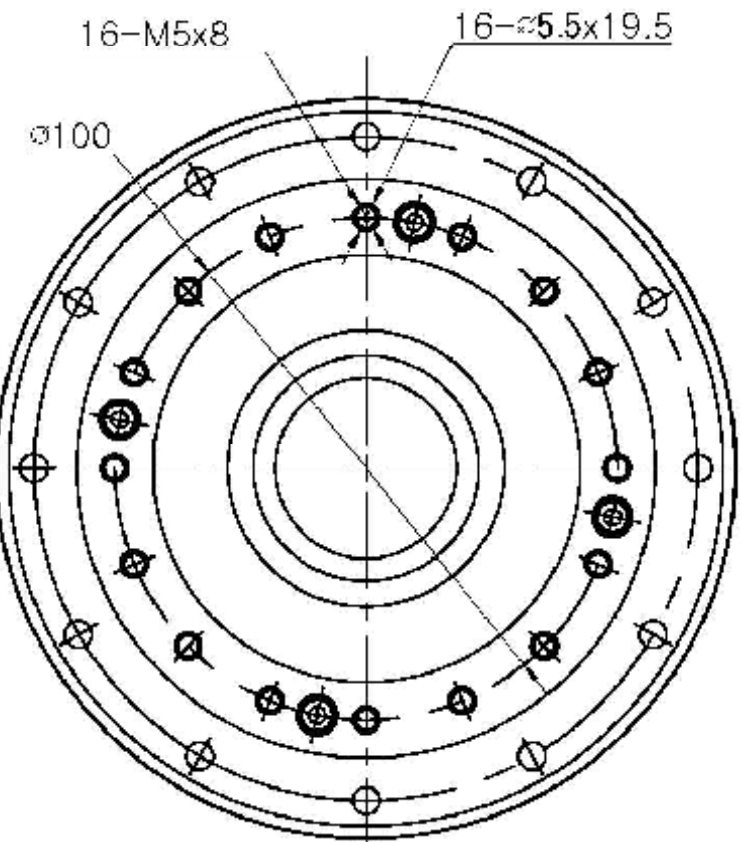
Drawings in catalog is valid within 2016

Order dimension according to final drawing according to customer confirmation

If there is update in drawing details, which will not be notified in catalog

Please avoid using minimum safety dimension when assembling with rigid spline

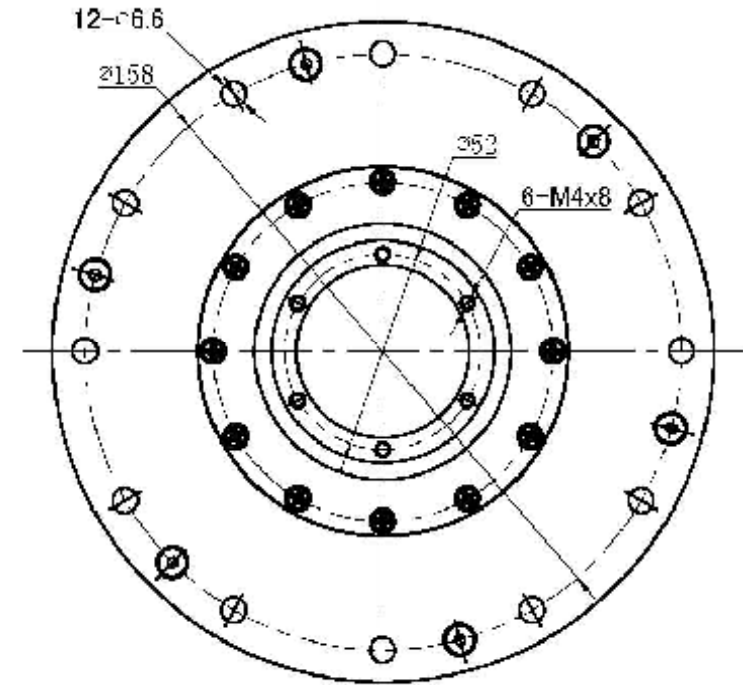
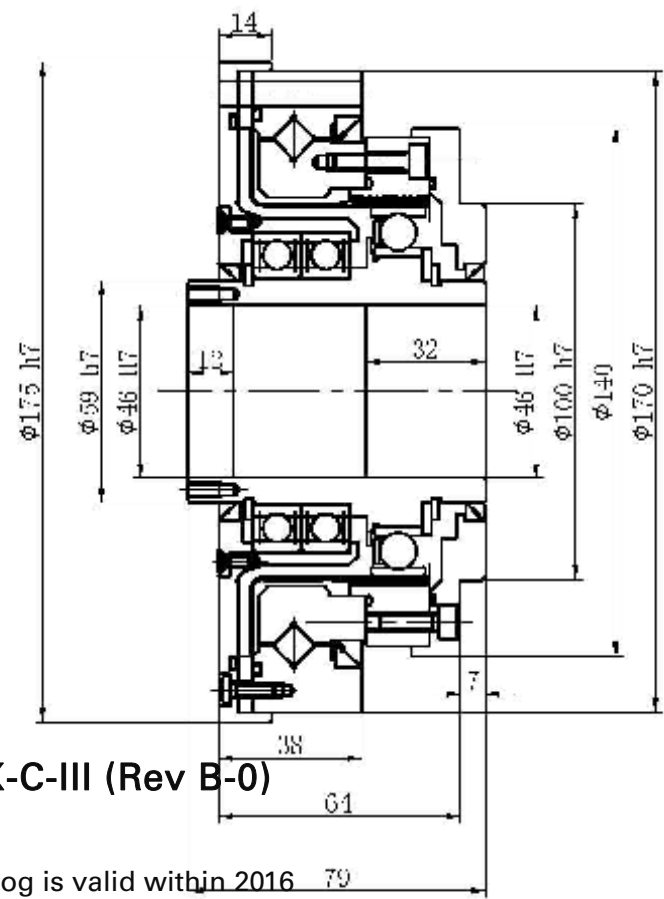
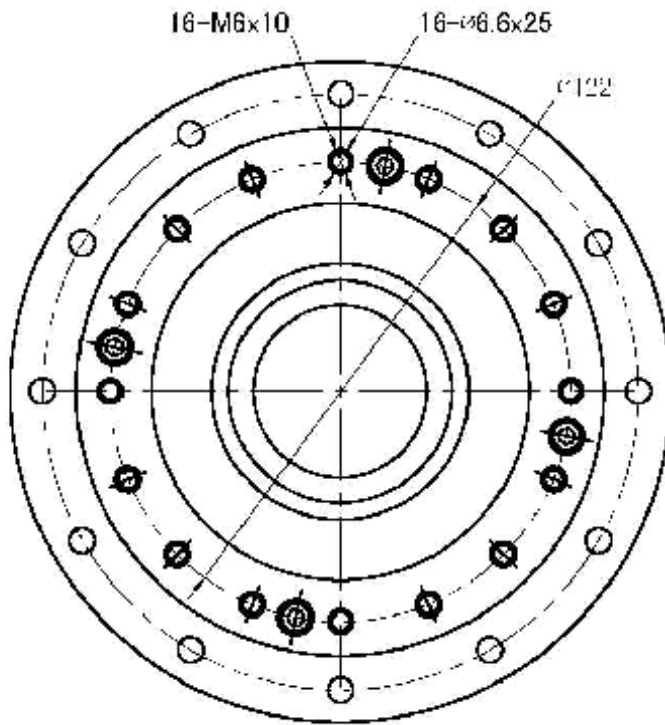
Model Parameters and drawing:



CHS-32-XXX-C-III (Rev B-0)

Drawings in catalog is valid within 2016
 Order dimension according to final drawing according to customer confirmation
 If there is update in drawing details, which will not be notified in catalog
Please avoid using minimum safety dimension when assembling with rigid spline

Model Parameters and drawing:



CHS-40-XXX-C-III (Rev B-0)

Note:

Drawings in catalog is valid within 2016
Order dimension according to final drawing according to customer confirmation
If there is update in drawing details, which will not be notified in catalog

Please avoid using minimum safety dimension when assembling with rigid spline