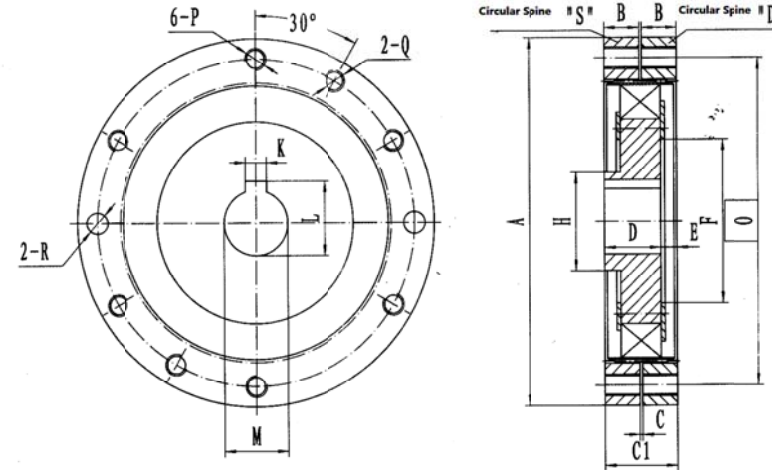


Model Parameters and drawing:

PHD-C Pancake-Type Harmonic Drive Reducer Component Sets



Dimensions(mm)

Size	Ratio	A (g6)	B	C	C1	D	E	F	H	K (J59)	L L	M (H7)	O	P	Q	R (H7)
25	64	Φ40	4.5	0.5	9.5	7	2.5	Φ12	Φ11	2	7 (+0.1, 0)	Φ6	Φ34	M3	M3	Φ3
32	64; 80	Φ50	5	0.5	10.5	8	2.5	Φ16	Φ15	3	11.4 (+0.1, 0)	Φ10	Φ43	M3	M3	Φ3
40	66; 80; 102	Φ60	6	0.5	12.5	9.5	3	Φ21	20	4	13.8 (+0.1, 0)	Φ12	Φ51	M4	M4	Φ4
50	80; 84; 100;	Φ70	7	0.5	14.5	11.5	3	Φ25	Φ24	5	16.3 (+0.1, 0)	Φ14	Φ62	M4	M4	Φ4
60	100; 120; 150	Φ85	8	0.5	16.5	13	3.5	Φ30	Φ28	6	20.8 (+0.1, 0)	Φ18	Φ75	M5	M5	Φ5
	80; 160	Φ87	8	0.5	16.5	13	3.5	Φ30	Φ28	6	20.8 (+0.1, 0)	Φ18	Φ77	M5	M5	Φ5
80	80; 100; 135;	Φ115	10	0.5	20.5	16.5	4	Φ48	Φ36	6	20.8 (+0.1, 0)	Φ18	Φ100	M6	M6	Φ6
100	80; 84; 100;	Φ135	13	1	27	21	6	Φ58	Φ36	8	27.3 (+0.2, 0)	Φ24	Φ120	M8	M8	Φ8
120	80; 100; 120;	Φ170	16	1	33	25.5	7.5	Φ72	Φ36	8	27.3 (+0.2, 0)	Φ24	Φ150	M10	M10	Φ10
160	80; 100; 135;	Φ220	22	1	45	34.5	10.5	Φ94	Φ56	12	43.3 (+0.2, 0)	Φ40	Φ195	M12	M12	Φ12
200	80; 100; 125;	Φ270	26	1	53	41.5	11.5	Φ114	Φ110	14	53.8 (+0.2, 0)	Φ50	Φ240	M16	M16	Φ16